

**PHYSICAL SETTING
 EARTH SCIENCE**

Tuesday, August 16, 2005 — 12:30 to 3:30 p.m., only

ANSWER BOOKLET

Male

Student Sex: Female

Teacher

School Grade

Answer all questions in Part B-2 and Part C. Record your answers in this booklet.

<input type="text"/>	Performance Test Score (Maximum Score: 23)	
Part	Maximum Score	Student's Score
A	35	
B-1	15	
B-2	15	
C	20	
Total Written Test Score (Maximum Raw Score: 85)		<input type="text"/>
Final Score (from conversion chart)		<input type="text"/>
Raters' Initials: Rater 1 Rater 2		

Part B-2	For Raters Only
51 _____ _____	51 <input style="width: 40px; height: 20px;" type="text"/>
52 _____	52 <input style="width: 40px; height: 20px;" type="text"/>
53 _____ days/yr	53 <input style="width: 40px; height: 20px;" type="text"/>

54

Station Model



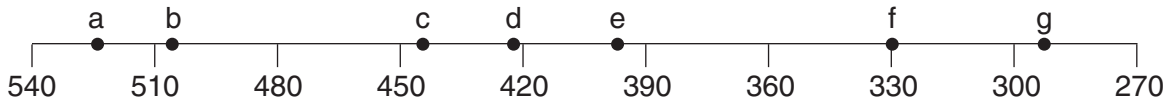
54

55

55

56

Geologic Time Line (millions of years ago)



56

57

_____ **Period**

57

58

_____ **Orogeny**

58

59

59

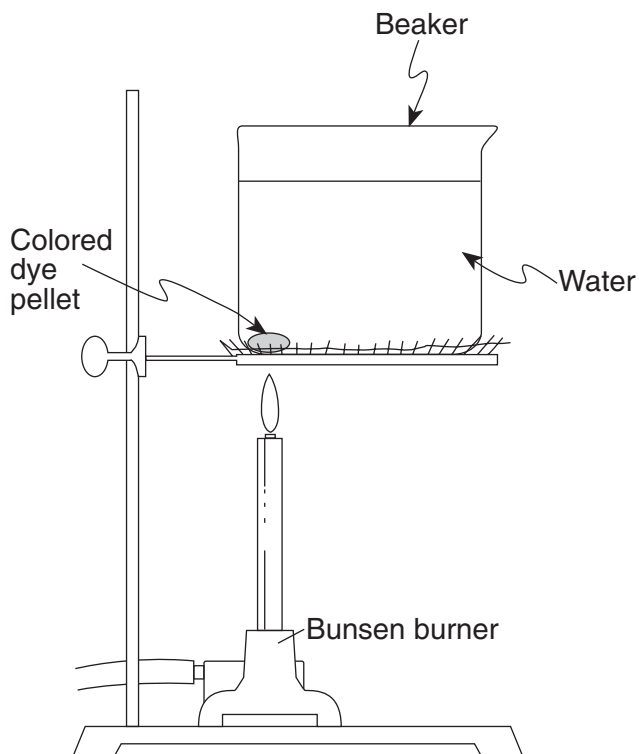
60

60

61

61

62



62

63 _____

63

64 _____ min _____ sec

64

Total Score for Part B-2

Part C

For Raters Only

65



65

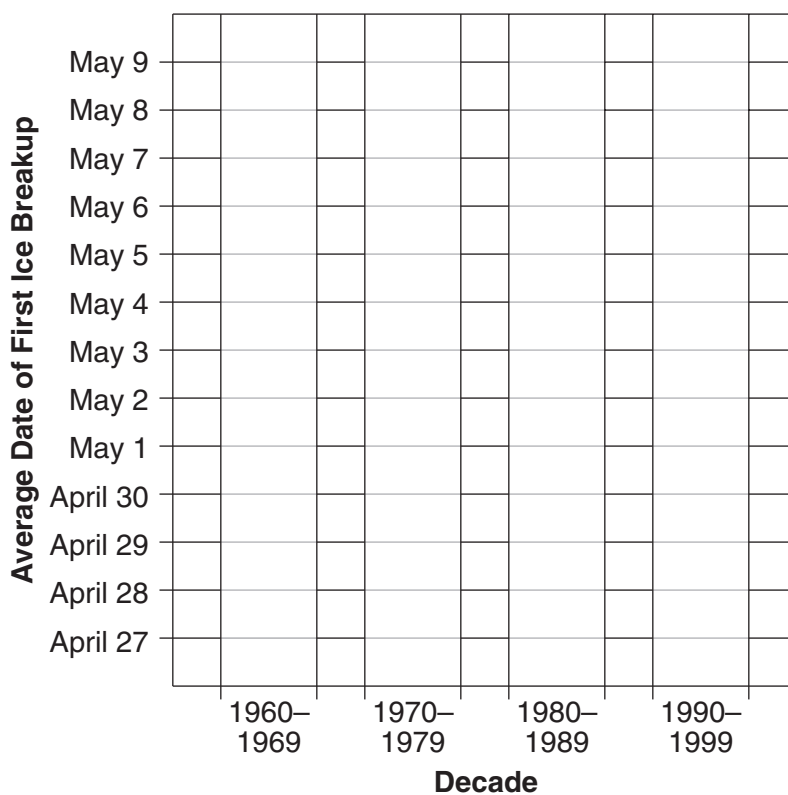
66

66

67

67

68



68

69

69

70

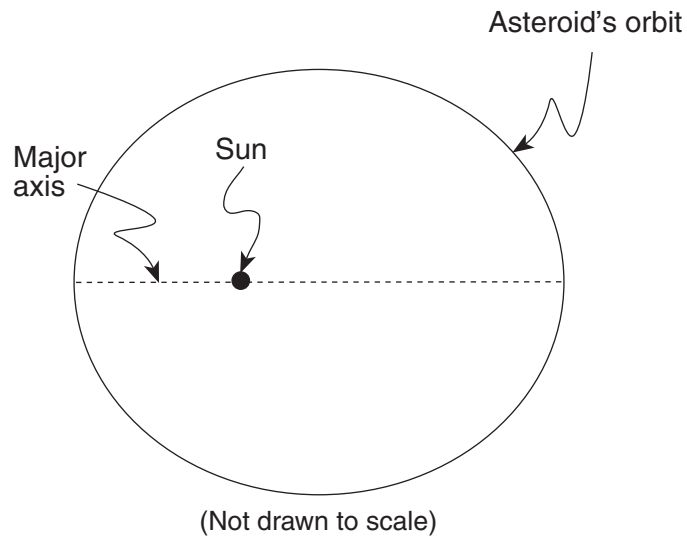
70

71

Agent of Erosion	Surface Feature Formed
(1)	
(2)	
(3)	

71

72 and 73



72

73

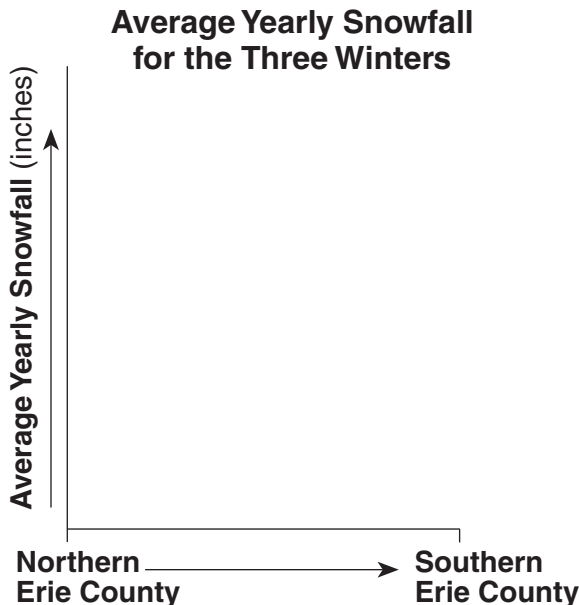
74 Gradient = _____

74

75 _____

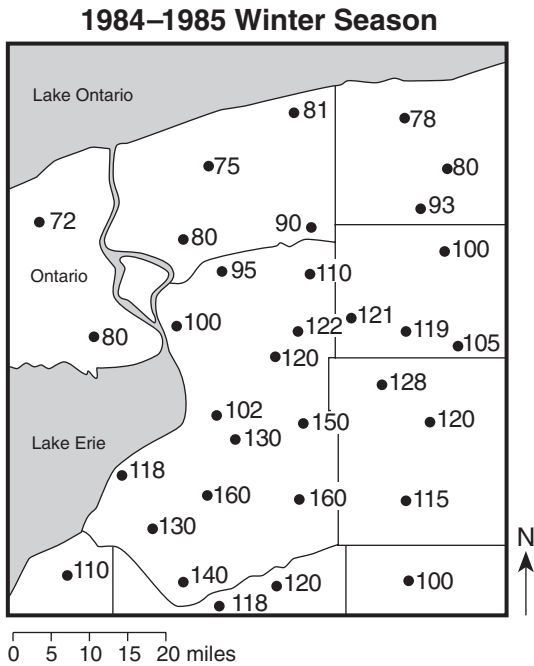
75

76



76

77



77

78 _____ yr

78

79 _____

79

**For Raters
Only**

80 _____

80

81 _____

81

82 _____

82

Total Score for Part C