

**HAITIAN CREOLE EDITION
PS/EARTH SCIENCE
WEDNESDAY, JUNE 22, 2005**

The University of the State of New York
REGENTS HIGH SCHOOL EXAMINATION

**ANVIWONMAN FIZIK
SYANS LATÈ**

Mèkredi, 22 jen 2005 — 9:15 a.m. pou 12:15 p.m., sèlman

LIV REPONS

Gason

Elèv..... Sèks: Fi

Pwofesè

Lekòl..... Ane

Reponn tout kesyon ki nan pati B-2 ak pati C. Ekri tout repons ou yo nan ti liv sa a.

<input type="text"/>		Performance Test Score (Maximum Score: 23)
.....		
Part	Maximum Score	Student's Score
A	35	
B-1	15	
B-2	15	
C	20	
Total Written Test Score (Maximum Raw Score: 85)		<input type="text"/>
Final Score (from conversion chart)		<input type="text"/>
Raters' Initials:		
Rater 1..... Rater 2		

Pati B-2		For Raters Only
51	_____	51 <input type="text"/>

52	_____	52 <input type="text"/>

53	_____	53 <input type="text"/>

**For Raters
Only**

54 Latitud: _____

54

Lonjitud: _____

55 _____

55

56 _____

56

57 _____ **min** _____ **seg**

57

58 Wòch inite VII: _____

58

Wòch inite VIII: _____

Wòch inite IX: _____

59 _____ **epi** _____

59

60 _____

60

61 _____

61

62 _____

62

63 _____

63

For Raters
Only

64 _____ mb

64

65 Sòti nan _____ a _____ ne

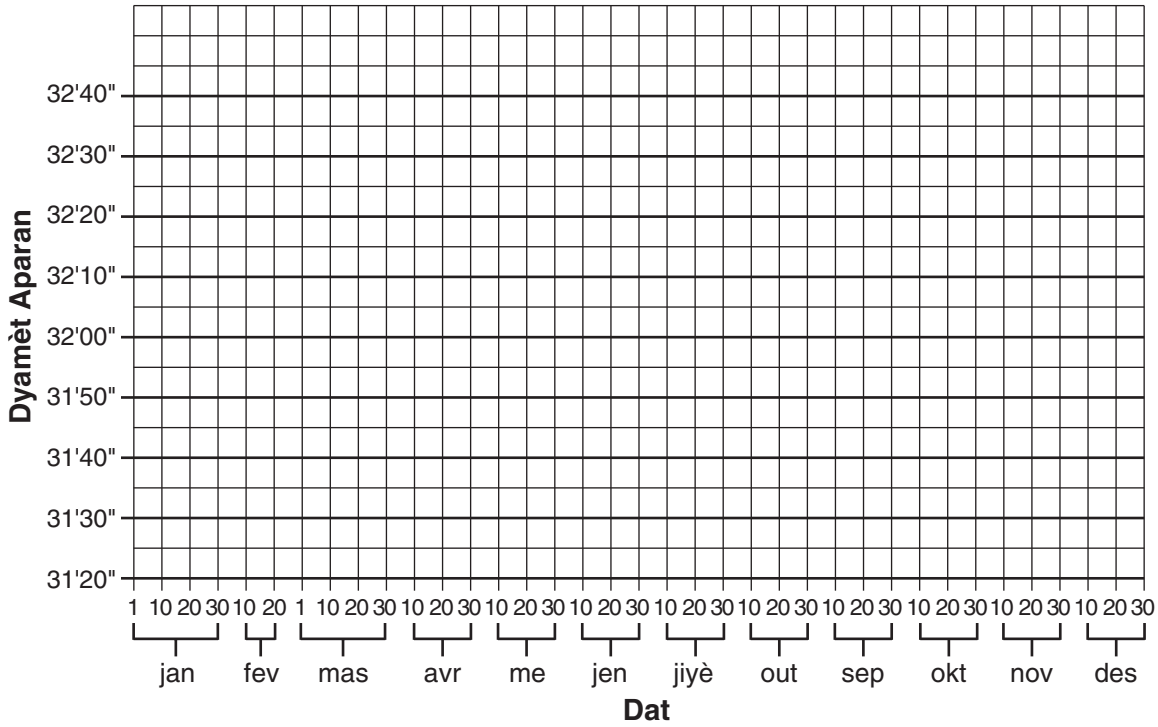
65

Total Score for Part B-2

Pati C

66

Dyamèt Aparan Solèy la



66

67

67

**For Raters
Only**

68 _____

68

69 _____

69

70 _____

70

71 _____

71

72 _____ pye

72

73 _____

73

74 _____

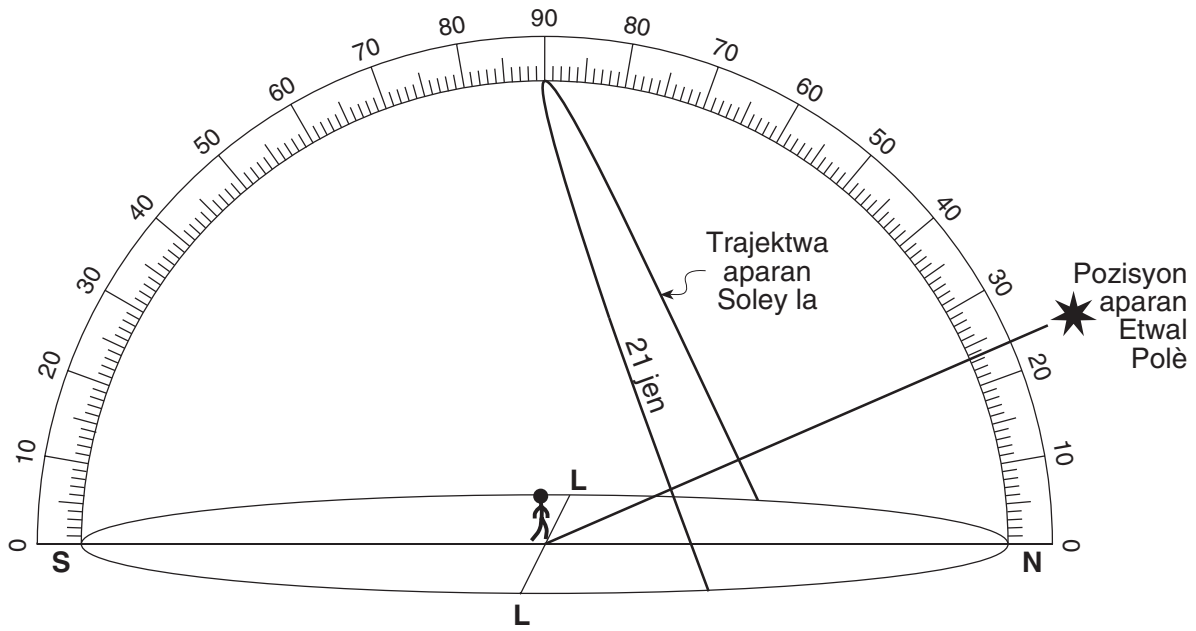
74

75 _____ epi _____

75

76 ak 77

Sa maren an te wè nan Zile dezè a



76

77

78 Latitud: _____

78

79 _____

79

**For Raters
Only**

80

80

81

81

82

82

83

83

Total Score for Part C

